

Date: 27/07/23

STANDING ORDER NO: 04/2023

Subject - Procedure for recruitment of constables.

In suppression of earlier Standing Orders, the following instructions are issued to regulate recruitment of Constables (GD), Constables (PTC), Constables (Driver), Constables (Band), Constables (Mounted), Constables (Dog Squad) in Sections-I, III and V of Rule 4 of RPSSR 1989(as amended), hereinafter referred to as Rules. (These instructions shall be effective for recruitments to be held henceforth. The recruitment will be governed by the latest Government circular wherever applicable).

1. DETERMINATION OF VACANCIES:-

Prior to the initiation of the recruitment process, it shall be the responsibility of the Appointing Authority concerned to accurately determine the vacancies as per Rule 10 of the said Rules.

2. RESERVATION OF VACANCIES: -

- (a) The provisions of Rule 7 of RPSSR 1989 shall be strictly adhered to.
- (b) Reservation for candidates of Saharia tribe of district Baran shall be made as per DOP Government of Rajasthan Order P-13 (20) personal/A-2/91part dated 21-5-2013 and dt. 16-01-2020.
- (c) Reservation for candidates of Tribal Sub Plan (TSP) area of Rajasthan shall be made as per Government of Rajasthan notification No. F13(20) DOP/A-2/91/Part dated 04-07- 2016 and DOP circular dated 01-06-2018.
- (d) 12.5% of the vacancies in a particular year and backlog vacancy in this category of last recruitment, shall be filled by appointing Ex-Servicemen as provided in the Rajasthan Civil Services/ RCS (Absorption of Ex-Servicemen) Rules, 1988 (as amended). Only such Ex-Servicemen who fulfil the requirement of Rule 3 (a) of RCS (Absorption of Ex-Servicemen) Rules, 1988, and those with at least 'GOOD' character rating at the time of discharge, as mentioned in the discharge book, shall be eligible to apply.

The reservation of vacancies for Ex-Servicemen as specified shall be category wise in direct recruitment. In the event of non-availability of the suitable and eligible Ex-Servicemen in a particular year, the vacancies so reserved for them shall be filled in accordance with the normal procedure and equal number of vacancies shall be carried forward to the next recruitment year and thereafter such vacancies would lapse. As per DOP notification No. F5(18) DOP/A-2/84/Part-II dt. 07-12- 2022 and circular Dt. 12-12-2022 and 27-02-2023.

Since the recruitment of Ex-Servicemen is to be carried out separately, a separate list of Ex-Servicemen candidates shall be maintained at all stages of recruitment and their selection shall be independent of their relative performance in comparison with other candidates.

A person who has retired or is retiring within forthcoming one year, after earning his/her pension on the basis of no objection certificate (NOC) from the competent authority, shall be eligible to apply for the post but he/she will have to submit proof of retirement to the Recruitment Board at the time of Physical Standard Test/Physical Efficiency Test as per Section 6 of DOP notification No. F.5 (18) Dop/A-2/84/part-2 dated 17.4.2018 and 22-12-2020. Apart from this, the circular dated 22-08-19 issued by the Department of Personnel for Ex-servicemen candidates will also be effective.

- (e) 30% of vacancies in a particular year shall be filled by women, out of which 8% and 2% vacancies shall be reserved for widows and divorcee women candidates respectively as per Government of Rajasthan notification no F-7(2) DOP/A-2/88/part-1 dated 24-01-2011, dated 22.12.15 and circulars 13.01.16.

The reservation for women shall be treated as horizontal reservation, category-wise, and it shall be adjusted proportionately in the respective categories of Unreserved, SC, ST, EWS, BC & MBC. A separate list of women candidates shall be maintained at all stages of recruitment and their selection shall be independent of their relative performance in comparison with other candidates.

In case adequate number of suitable & eligible women are not available for recruitment in a particular year, the vacancies shall be filled as if they were not reserved, from male candidates of the same category.

- (f) Reservation of Vacancies for Outstanding Sports persons: - According to Rule-7(C) of RPSSR-1989, reservation of vacancies for **outstanding sportspersons of Rajasthan shall be 2%** of the total vacancies of each of the recruiting unit (both technical and non-technical) in that year for direct recruitment. Such recruited constables will be allotted for General duties only. A Separate notification shall be issued for the same.

It may be noted that only Bonafide residents of Rajasthan are eligible for recruitment under this quota.

- (g) MBC 5% reservation as per DOP notification dated 13.02.2019

- (h) 10% Reservation of vacancies for Economically Weaker Section as per DOP notification dated 20.10.2019.

'Economically Weaker Section' shall be the persons who are bonafide resident of Rajasthan and not covered under the existing scheme of reservation for the Scheduled Caste, the Scheduled Tribe, the Backward Classes, the Most Backward Classes and whose family has gross annual income below Rupees 8.00 lakhs. The gross annual income will be income pertaining to the financial year prior to the year of application. Only certificate issued as per government norms will be considered.

- (i) Social Justice and Empowerment Department, Government of Rajasthan vide notification No. F 11(125)TJ/DDPC/Sanyaavi/2022/75500 dated 12.01.2023, includes bisexual (trans gender) community in the authorized list of Other Backward Classes of Rajasthan State at S.No. 92 has been included. Transgender applicants will be able to apply against the posts advertised for Other Backward Classes.

- (j) **Applicants out of Rajasthan state-**

Existing scheme of reservation for the Scheduled Caste, the Scheduled Tribe, the Backward Classes, the Most Backward Classes, and Economically weaker section other than Rajasthan State will be consider as general category candidates/applicants.

3. **AGE & RELAXATION IN AGE:-**

- (i) Relaxation in age and standards of physical fitness shall be given as provided in Rules-11 and 14 of RPSSR 1989.
- (ii) The candidate must have attained the age of 18 years & must not have attained the age of 23 years (DOP notification dated 25.6.2004 and 17-05-2018) on 1st day of January of the next year following the last date fixed for receipt of applications. However, the upper age limit for Constable (Driver) shall be 26 years.
- (iii) The upper age limit shall be relaxed by:
- (a) 5 years in case of men candidates belonging to SC, ST, OBC, MBC (non creamy), EWS, Saharia category and women candidates belonging to Unreserved category.

- (b) 10 years in case of women candidates belonging to SC, ST, OBC, MBC (non creamy), EWS, Saharia category.
- (c) 3 years in case of the candidates who are State Government employees and dependents of deceased Police officers/Police officials killed in the discharge of their duties.
- (iv) The upper age limit mentioned above shall be 42 years (DOP notification dated 25.6.2004 and 17-05-2018) in the case of Ex-Servicemen.

4. PHYSICAL FITNESS NORMS:-

(i) Physical fitness norms shall be applicable as per rule 14 of RPSSR, 1989 :-

	For General & TSP area		For Saharia of Distt. Baran	
	Men	Women	Men	Women
Height (minimum)	168 cms	152 cms	160 cms	145 cms
Minimum Chest measurement and expansion (only for men)	Without expansion-81cms With expansion-86 cms (Min. expansion of 5 cms is required)	Not applicable	Without expansion-74cms With expansion-79cms (Min. expansion of 5 cms is required)	Not applicable
Minimum weight (only for women)	Not applicable	47.5 kgs	Not applicable	43 kgs

Further relaxation in Physical fitness/ standards, as admissible, shall be governed by Rule 14 of RPSSR 1989.

5. EDUCATIONAL QUALIFICATION:-

Educational qualification required for the post of constable as mentioned in section I, III and V of the Rules will be as prescribed in column IV of schedule I of RPSSR, 1989.

District. /Unit	Minimum educational qualification
District police/ Intelligence	Senior Secondary or 12th class pass or equivalent thereof from a recognized school/ examining body.
Police Telecommunication	Senior Secondary in Science with Physics & Maths/ Computer Science as subjects by a Board established by law or equivalent, or 10+2 examination declared equivalent there to by the Government.

Any candidate who has appeared in qualifying class examination is also eligible to apply for post of constable as applicable but shall have to furnish a certificate of having passed such examination on the day of PET/PST examination.

6. RECRUITMENT CENTRES:-

Centers for the PET/PST and examination will be specified by the Director General of Police, Rajasthan.

7. INVITING APPLICATIONS:-

(a) Applicant can apply for only one district/unit.

(b) In accordance with the Rule-17 of said Rules, the notification for inviting online applications for recruitment shall be published in the leading newspapers and police website www.police.rajasthan.gov.in. Adequate publicity shall be given in minority areas and Tribal Sub-Plan (TSP) areas, so that candidates from these areas are also able to apply on time.

(c) Candidate shall be required to submit the prescribed online application form through the Common Service Centre (CSC)/ E-mitra kiosks or at his/her own level. List of the CSC/ E-mitra kiosks and instructions for filling application form shall be available on website.

(d) **Examination fees** applicable for online application is as follows:

Personnel (A-2) Department, Government of Rajasthan's Circular Number P-8(3)Personnel/A-2/2023/04443 Dated 19-04-2023 has implemented One time Registration system in all Recruitment Examinations. After one time Registration by the candidates, repeated examination fee will not be payable for applying in other Recruitment Exams. For this, candidates will have to deposit one-time registration fee prescribed as per rules by going to One Time Registration option after login through his/her SSO ID.

1. Unreserved/BC category (Creamy)/ Out of state candidates - **Rs.600**
2. SC/ST/BC(non-creamy)/EWS category candidates(in state) - **Rs.400 /-**
including TSP & Saharia

- (e) Handwritten application/ offline form shall not be accepted by the Department.
- (f) On successful submission of online application form, a unique Application ID shall be allotted to the candidate.
- (g) Incomplete applications or applications not filled-up in accordance with the instructions issued shall be rejected under Rule 20 of RPSSR 1989. No claim for refund of fee shall be entertained.
- (h) The roll numbers for applications accepted online shall be allotted to the candidates on the basis of randomization. Admit cards will not be sent to the candidates by post. It shall be the responsibility of the candidates to download their admit cards by use of application ID from the website.
- (i) Candidate applying for the post of Constable (Driver) should possess valid permanent driving license for LMV or HMV issued "**At least one year prior**" from the date of notification.

8. PROCEDURE FOR SELECTION:-

The process of selection for the post of Constable shall be as per provisions under Section 25 of RPSSR 1989.

PART-I

According to the notification dated 23-05-2022 of the State Government Personnel (A-2) Department, as per the provisions of schedule-II of the Rajasthan Subordinate and Ministerial Services (Common Eligibility Test) Rules-2022 for the post of Police Constable (Senior Secondary Level) of Rajasthan Police Subordinate Services, the recruitment is to be done through Common Eligibility Test.

Candidates of GEN/ EWS/ OBC/ MBC scoring-40%, SC/ST scoring-36% and TSP/ SAHARIA scoring-30% marks in Common Eligibility Test (Senior Secondary Level)-2022 conducted by Rajasthan Subordinate & Ministerial Staff Selection Board, will be eligible to apply online for the respective post of Constable (GD), Constable (PTC), Constable (Driver), Constable (Band), Constable (Mounted) & Constable (Dog Squad).

All such candidates shall be invited on merit basis subjected to 15 times of category wise vacancies published, for first phase (PET/PST). All such candidates, shall undergo Physical Efficiency Test (PET) and after successfully completing Physical Efficiency Test (PET) the qualified candidates shall undergo Physical Standard Test (PST) at a date and place specified by the DGP. PET will be held first followed by PST.

(A) PHYSICAL EFFICIENCY TEST (PET) :-

The Physical Efficiency Test will be **qualifying** in nature. The candidates will undergo the PET **at their own risk**. Any candidate failing in PET will be disqualified. Only one chance shall be given for PET. There will be no appeal for PET.

	Run	Time
Men	5Km.	25 minutes
Women	5 Km.	35 minutes
EX- Service men	5Km.	30 minutes
Saharia candidates of Baran & SC/ST candidates of TSP Area	5Km.	30 minutes

Candidate shall be required to submit a Fitness Certificate issued by a Govt. Medical Officer, prior to appearing for PET.

Women candidates who are pregnant are advised not to participate in PET. Hence they may participate on their own risk if medical board certifies them to be fit for PET.

The Board constituted by DGP for recruitment shall examine the condition of the ground for the PET every day before the start of the process which shall be documented, and the decision of the Board with regard to suitability of the track for PET shall be final. The report of the ground suitability shall be prepared by the Board each day.

(B) PHYSICAL STANDARD TEST (PST): -

The candidates will be called for the height, chest measurements (height and weight measurement in case of Women candidates). Measurements of the candidates will be done by the Recruitment Board as per the norms laid down in the Rules.

Height, chest/weight measurements will be communicated and explained to each and every candidate and their signatures taken on the sheet. Candidates failing to fulfil the prescribed standards shall be rejected.

The Recruitment Board shall take care to segregate and inform the candidates, who have taken relaxation of physical measurements and those who have not and their selection in PST due to relaxation available to them as per their category and take their signatures.

Provision of Appeal in PST:

One chance of appeal will be given to candidates who are not satisfied with the PST result. A fee of Rs. 500/- shall be deposited by the candidate along with appeal application and he/she shall be re-examined by the Recruitment Board on the same day. To avoid any disadvantage to the candidate, the Recruitment Board shall be assisted by a Medical Board of Government Doctors in all cases of PST appeals and the signatures of the candidates shall figure in all sheets of appeal along with that of the members of the Recruitment Board and Doctors of medical board. **PST measurements shall be done on the day of PST, with or without appeal and shall be final.**

Only Candidates who qualify in PET and PST will be eligible for CBT.

PART-II

Computer Based Test (CBT)

150 Marks

The objective type Computer Based Test (CBT) of two (2) hours duration will be held across the state of Rajasthan at centers as specified by DGP. There shall be 150 questions of one mark each. 25% marks will be deducted for every wrong answer.

Syllabus of Computer Based test	No. of questions	Marks
Reasoning, Logic and basic Knowledge of Computers	60	60
General Knowledge, General Science, Social Science, Current affairs and regarding the right of women & children and the Government schemes and institutions run by the Rajasthan Government for them.	45	45
History, Geography, Economy, Polity, Culture & Art of Rajasthan	45	45
Total	150	150

Minimum qualifying marks shall be:

- 40% for Unreserved and EWS, BC (both OBC & MBC) candidates, 36% marks for SC/ST Candidates in aggregate marks.
- Ex-servicemen shall be given a relaxation of 5% and in case of non - availability of advertised number of selected ex-servicemen, further 5% relaxation shall be provided as per Section 5 of DOP notification No. F.5(18) DOP/A-2/134/part-2 dt 22.12.2020.
- There shall be no minimum passing marks for candidates of TSP areas & Saharia candidates of Baran.**

The results will be published on Rajasthan Police website www.police.rajasthan.gov.in and also on notice boards in the offices of Superintendents of Police or other Appointing Authorities concerned.

There shall be no CBT for candidates applying for post of constable Band and under sportspersons quota.

PART-III

(A) PROFICIENCY TEST (only for Drivers, Band, Mounted & Dog Squad): -

Candidates failing to qualify in the proficiency test shall be disqualified for selection. The minimum passing percentage shall be the same as in CBT for various categories.

However, candidates from TSP areas will be required to score 30% marks while Saharia candidates will be required to score 25% in Proficiency tests.

(i) FOR CONSTABLE (DRIVER)

30 Marks

The proficiency test shall consist of the following practical tests on the subject of vehicle driving and vehicle maintenance: -

- | | |
|--|---------|
| A. Stop Test - as per Annexure 'A' | 4 Marks |
| B. Steering Test- as per Annexure 'B' | 4 Marks |
| C. Slalom Test - as per Annexure 'C' | 8 Marks |
| D. Driving of Heavy Vehicles (along with possession of Heavy Vehicle Driving Licence which should be about one year old from date of notification. | 8 Marks |
| E. Removing three simple mechanical and electrical faults in the vehicle | 6 Marks |

Candidate fails the test if -

1. Basic vehicle operation is not demonstrated smoothly.
2. The driver cannot demonstrate control of the vehicle when driving and braking
3. The driver hits the obstacle(s).
4. The driver cannot pass the slalom circuit.

(ii) FOR CONSTABLE (BAND) **30 Marks**

It shall include different practical tests on the subject of band as under-

- | | |
|--|----------|
| A. Playing of band instruments and band tunes. | 10 Marks |
| B. Knowledge about band instruments and their maintenance. | 10 Marks |
| C. Knowledge of bugle playing. | 10 Marks |

(iii) FOR CONSTABLE (MOUNTED) **30 Marks**

It shall include different practical tests on the subjects of riding and horses as under:-

- | | |
|--|----------|
| A. Riding skills test | 20 Marks |
| B. Knowledge about horses and their upkeep | 10 Marks |

(iv) FOR CONSTABLE (DOG SQUAD) **30 Marks**

- | | |
|--|----------|
| A. Knowledge of breeds, qualities and usefulness of dogs in Police Force | 12 Marks |
| B. Knowledge of diet, Vaccination and Diseases of dogs. | 12 Marks |
| C. Handling and being friendly with dogs | 06 Marks |

(B) SPECIAL QUALIFICATIONS- any 2 areas of specialization of the candidate from the following three mentioned below will be considered, for Constable (General duty) and Constable (PTC) **20 Marks**

(i) **Candidates having various N.C.C. Certificates will be awarded marks as follows (for the highest available certificates only): -**

- | | |
|---------------|----------|
| C Certificate | 10 Marks |
| B Certificate | 8 Marks |
| A Certificate | 6 Marks |

(ii) **HOME GUARD:-Candidates who have served as Home Guards volunteers would be awarded marks as follows: -**

- | | |
|--|----------|
| A. HG volunteer who has served continuously for more than 3 years. | 10 Marks |
| B. HG volunteer who has served continuously for more than 2 years. | 8 Marks |
| C. HG volunteer who has served continuously for more than 1 years. | 6 Marks |

(iii) **Degree/Diploma in Policerelated subjects: - Candidates who have degree/diploma would be awarded marks as enumerated in the table below. (In case of any dispute, decision of Vice Chancellor, SVP University of Police, Jodhpur shall be final)**

- | | |
|---|----------|
| A. For Master of Science in Cyber Security, M.A./M.Sc. in Criminology, LLM and other Post Graduate courses having Police Administration as a subject. | 10 Marks |
| B. BA in Security Management/ BA in Social Science(at least one subject as Police Administration or Law)/LLB | 8 Marks |
| C. Diploma in courses mentioned above. | 6 Marks |

PART-IV

9. COMBINED MERIT LIST

A combined merit list (unit wise) of all eligible and successful candidates shall be prepared in descending order of marks obtained in CBT and proficiency test, special qualifications as the case may be. It should also be done category wise, by the concerned Recruitment Board on the basis of aggregate marks obtained by each candidate in the CBT, proficiency test and special qualifications.

If two or more candidates obtain equal marks, the person older in age shall be placed higher; where two or more persons have same marks and age, the person having higher educational qualifications will be placed higher; where two or more persons have same marks, age and educational qualifications, the person obtaining higher marks in CBT shall be placed higher; where two or more persons have the same marks, age, educational qualification and marks in CBT their names shall be placed in English alphabetical order in the Merit list. Candidates standing higher in merit shall be eligible for appointment subject to the provisions of Rules 23, 24 and 25 of RPSSR, 1989.

10. COMBINED SELECT LIST

The selection of BC, SC or ST category candidates in Unreserved category will be permissible as per Govt. of Rajasthan circular no. F7(1)DOP/A-2/99 dated 26.07.2017 at every stage of selection which states that "If a candidate belonging to SC/ST/BC has not availed of any of the special concessions such as in age-limit, physical fitness etc. in the recruitment process, which are available to the candidates belonging to these categories, except the concession of fees, and he secures more marks than the marks obtained by the last UR category candidate who is selected, such a candidate belonging to the SC/ST/BC shall be counted against the Unreserved category vacancies and not the vacancies reserved for the SC/ST/BC, as the case may be."

Candidates belonging to Scheduled Caste and Scheduled Tribes seeking relaxation in physical measurement will be included in the select list only if sufficient numbers of candidates who have not availed of any relaxation are unavailable. When such candidates are included in the select list, they will find place below the candidates who have not availed of any relaxation irrespective of marks obtained.

If sufficient number of suitable and eligible candidates belonging to the Other Backward Classes are not available in a particular year, the posts remaining unfilled shall be filled as unreserved posts.

The unfilled vacancies of the SC & ST shall not be filled by the candidates of other category and shall be carried over to the next years(s) as backlog. Similarly, the vacancies of Saharia & SC/ST in Tribal Sub Plan area shall not be filled by SC/ST candidates of other areas.

If sufficient number of candidates do not qualify for the available vacancies of Constable (Driver) Constable (Band), Constable (Mounted) and Constable (Dog squad) the unfilled vacancies will be added to the vacancies of General Duty Constable provided that recruitment for the latter category of posts is also taking place simultaneously in the same unit. Such vacancies shall be added to the respective categories.

The combined Select List of all successful candidates shall be forwarded by the Recruitment Board to Director General of Police in accordance with Rule 23 of RPSSR 1989 and after DGP's perusal, be published by affixing on the notice board of the District/Unit and also on the website of the department.

If a candidate is disqualified on any ground or fails to join by the date given by the appointing authority, the candidate next in the combined merit list, in the order of merit in the respective category, shall be eligible for appointment.

This combined merit list shall automatically lapse when the next recruitment is advertised, or after 6 months, whichever is earlier.

The Recruitment Board of the unit shall prepare the combined select list of candidates of all the categories whose names appear in the combined merit list by inter-lacing in accordance with Circular no. F7(1) DOP/A-2/99 dated 26.07.2017 on the basis of marks obtained by them in each stage of the selection.

11. MEDICAL EXAMINATION: -

Immediately after declaration of the select list, candidates shall be required to undergo a Medical Test by a Government Medical Board. The Appointing Authority shall approach the Chief Medical and Health Officer/Principal Medical Officer concerned to appoint one or more medical officers, as required, for this purpose, as per enclosed proforma (**Annexure D**). The medical examination will be held in the Reserve Police Lines of the District/Unit.

Candidates who are found temporarily unfit and whose defect can be rectified within 6 months as per the opinion of the Medical Officer shall be eligible for appointment after the said period, provided they are found fit by medical board.

Candidates who fail to conform to the prescribed standards of medical fitness even on re-examination within stipulated time shall be declared medically unfit for appointment and their candidature shall stand cancelled.

Medical standards:

The minimum near vision should be N6 (better eye) and N9 (worse eye). The minimum distant vision should be 6/6 (better eye) and 6/9 (worse eye) of both eyes with or without any correction. In right handed person, the right eye is better eye and vice versa. (As per DOP instructions dated 13.3.2020)

The candidate must not have knock knee, flat foot, varicose vein, night blindness, stammering, hernia or squint in eyes and they should possess high colour vision.

They must be in good mental and bodily health and free from any physical defects/surgical problems likely to interfere with the efficient performance of the duties.

12. VERIFICATION OF CERTIFICATES OF DATE OF BIRTH, CASTE, EDUCATION DRIVING LICENCE etc :-

The original certificates of date of birth, caste, education, driving license and marital status (in case of women) shall be obtained from the candidates who are declared fit in the medical examination. These certificates shall be verified by the Appointing Authority and only those candidates whose documents are found genuine, shall be eligible for appointment. After verification process is complete the original certificates will be returned and photo copies shall be retained by units concerned for record.

Entry of availed relaxation in height and chest/weight measurements of SC/ST candidates should be made explicitly in their Service records.

13. CHARACTER VERIFICATION: -

Candidates will be required to furnish a declaration in R.P. form No. 4 (Verification Roll) and the contents of such declaration, may be got verified during the character verification.

Dates should be mentioned in every document of character verification.:
Candidates with "satisfactory" character as per rule-13 of RPSSR 1989 shall be eligible for appointment.

Matters related to disqualification due to incomplete/ fraudulent documents relating to character verification or due to criminal antecedents shall be referred for decision to the Police Headquarters.

Norms prevalent at the time of conduct of character verification shall be applicable in deciding suitability of a candidate for appointment.

14. APPOINTMENT: -

Medically fit candidates, whose documents are found genuine and against whom nothing adverse has come to notice on verification of their character, shall be appointed on the basis of their category-wise merit, as per the prescribed roster, on probation.

15. DISQUALIFICATION FOR APPOINTMENT:-

A candidate shall be disqualified for recruitment if his candidature is found violative of Rule 13, Rule 15, Rule 16 or Rule 24 of RPSSR 1989.

Any candidate who is found to be guilty of impersonation or submitting fabricated documents, documents which have been tampered with, suppressing material information, using or attempting to use unfair means in the examination, resorting to any other irregular or improper means for obtaining admission to the examination, in addition to rendering himself/ herself liable to criminal prosecution, will be debarred either permanently or for a specified period by the Recruitment Board or the Appointing Authority for admission to any examination to be held under the provisions of these Rules.

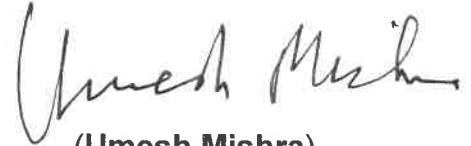
His/her conduct may also be reported to the State Government for similar action in respect of candidates serving under the State Government. Vide DOP circular P.1(1) personal/A-2/2016 dated 04-12-2019, Candidates who have furnished wrong or have suppressed any information including those of criminal cases registered, pending or disposed, when the said information is sought by Appointing Authority, will not be eligible for appointment.

16. CANVASSING:-

No recommendation for recruitment, either written or oral, other than that required under the Rules, shall be taken into consideration. Any attempt on the part of a candidate to enlist support directly or indirectly for his/her candidature by any such means shall disqualify him/her for recruitment.

17. This Standing Order is being issued in conference of Powers given to DGP in rule 23 'A' of RPSSR-1989.


Encl.-Annexure -A, B, C & D



(Umesh Mishra)
Director General of police
Rajasthan, Jaipur

Copy for information/necessary action to: -

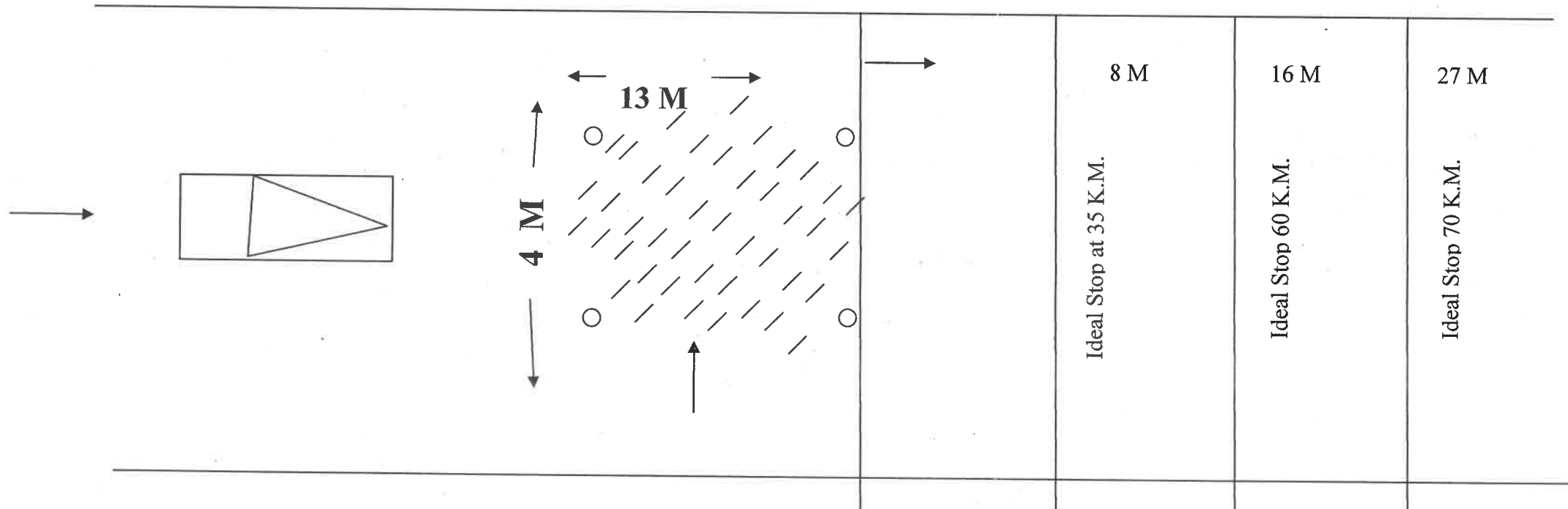
1. All D.Gs, Rajasthan, Jaipur.
2. All Addl.D.Gs./ Police Commissioners/I.Gs./ Dy.I.Gs of Police, Rajasthan.
3. All Superintendents of Police, DCPs, Rajasthan.
4. Joint Secretary to Govt. (Group-1), Home Department, Rajasthan, Jaipur.
5. All Commandants, RAC Bns. including IR /MBC/Trg. Institutes, including Principal RPTC, Jodhpur/Kishangarh, Rajasthan.
6. In-charge, Website Cell, Jaipur along with a soft copy to upload it on the Rajasthan Police website.
7. All Group In-charges, Headquarters Branch, PHQ, Rajasthan, Jaipur.



Additional Director General of police
Recruitment and Promotion Board,
Rajasthan, Jaipur

Stop test

4 Marks



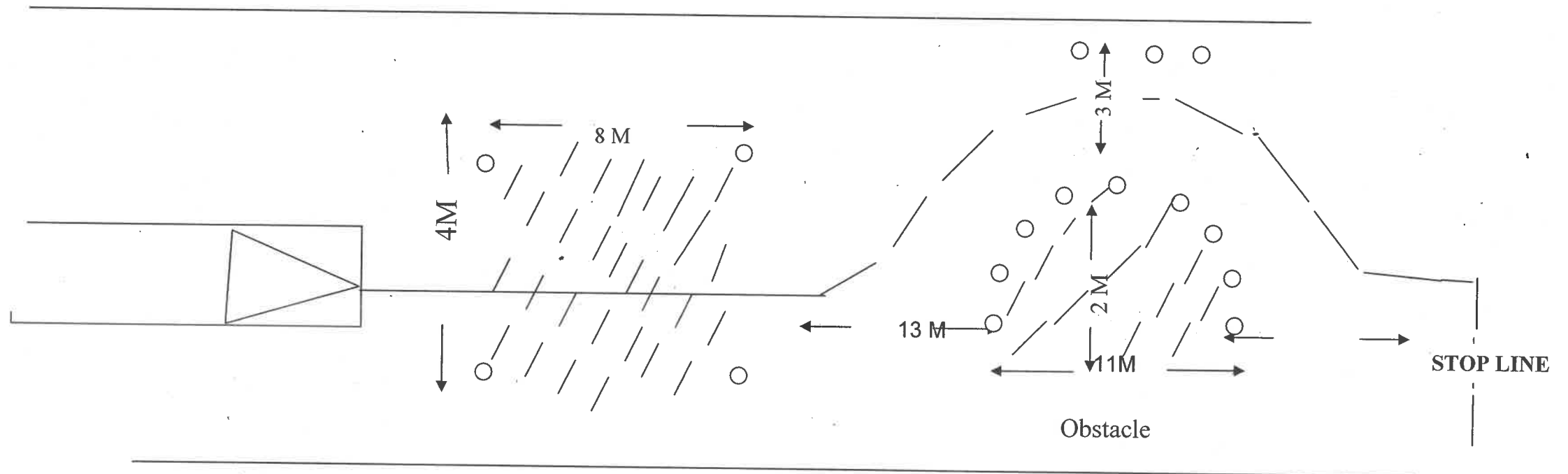
When passing between the first cones, the clutch pedal must be activated and when passing the next cones, the brake pedal must be activated.

[Signature]
Director General of Police
Rajasthan, Jaipur

Steering Test

4 Marks

Annexure 'B'



When passing between the first cones, the clutch pedal must be activated and Reducing of speed by the brake pedal and after passing the next cones the obstacle must be avoided by steering control. When passed the obstacle, the vehicle must be brought to a Full stop.

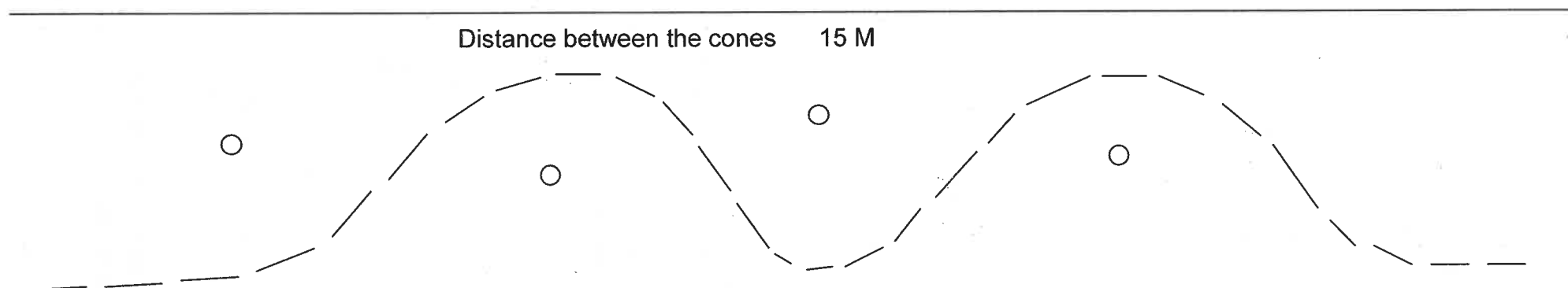
(Signature)
Director General of Police
Rajasthan, Jaipur

टेलीग्राम चैनल जॉइन करे

HANDLING TEST

Slalom Circuit -6 Cones

8 Marks



Traffic Cones-

To obtain full (8) Marks, The Driver must be able to control the vehicle with an average speed of 30-40 K.M. through the circuit.

(Signature)
Director General of Police
Rajasthan, Jaipur

4 x 3.5 Cm. SIZE
COLOUR PHOTO
OF EXAMINED
CANDIDATE

Rajasthan Police
Certificate of Physical Fitness

I -----do hereby certify that I have examined
Shri/Smt./Kum.-----S/O,W/O, D/O Shri----- a candidate
for appointment for the post of Constable in Police Department. His/her age according to his/her
own statement is-----years, and by appearance about -----years.

1. Identification mark	11. Hernia present or absent
2. General conformation	12. Hydrocele
3. Vision	13. Glycosuria
4. Night Blindness/ Defective Colour Vision	14. Albuminuria
5. Hearing	15. Distinguishing marks
6. Lungs	16. Stammering or Stuttering present or absent
7. Heart	17. Knock-Knee
8. Kidney	18. Varicose veins
9. Liver	19. Squint
10. Spleen	20. Abnormal gait, flatfoot or any other deformity

I consider that he/she is of sound health and good physique and his/her all vital systems are functioning normally and he/she is not physically or mentally suffering from any disability. That he/she is fit to enter service in Rajasthan Police as Constable (General Duty, Driver)

I consider him/her unfit to enter service under the Government for the reasons given at ----

The thumb impression below was made by the applicant in my presence.

Name of Medical officer

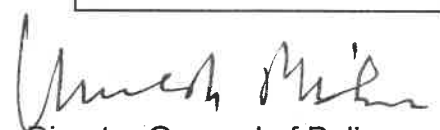
Signature of Medical Officer,
Name of hospital with ,
Rubber Stamp.

Date -----

Place -----

The -----Day of -----

Box for thumb impression to be taken in
presence of the Medical Officer.


Director General of Police
Rajasthan, Jaipur